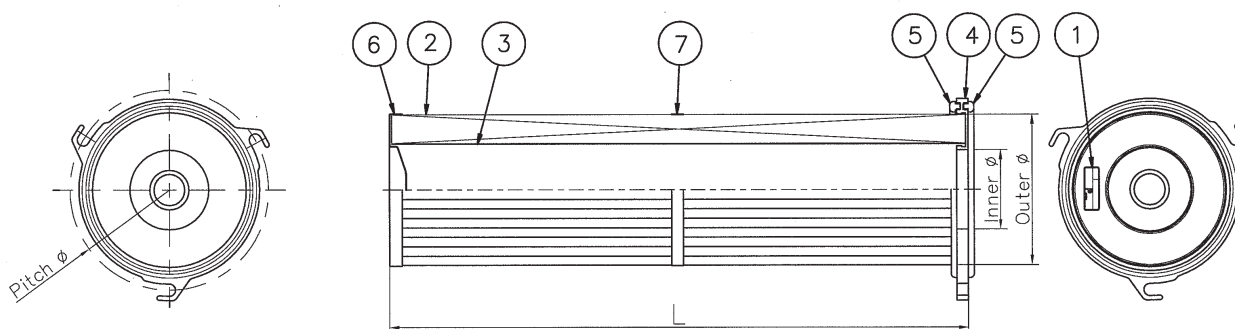


# Replacement Elements Cartridges

## Series 156



Quick Fix 3 top flange  
Closed bottom

### SPECIFICATIONS

Number	Description
1	Marking
2	Media pack
3	Inner liner
4	Top end cap - quick fix
5	Gasket (top and bottom)
6	Bottom end-cap closed
7	Outer strap

Symbol	Dimension
L	600 - 1000 - 1200 mm
Inner DIA	85 mm
Outer DIA	156 mm
Pitch	207 mm

**Available media qualities:**

- Ultra-Web® SB
- Ultra-Web® SB Anti-Static
- BonDura™
- BonDura™ Anti-Static

# Replacement Elements Cartridges

---